

## Model Comparison

Model	VRRM <sub>VDRM</sub> (V)	ITAV <sub>IFAV</sub> (A)
CTT72GK08	800	70
CTT72GK12	1200	70
CTT72GK14	1400	70
CTT72GK16	1600	70
CTT72GK18	1800	70
CTT72GK20	2000	70
CTT72GK22	2200	70

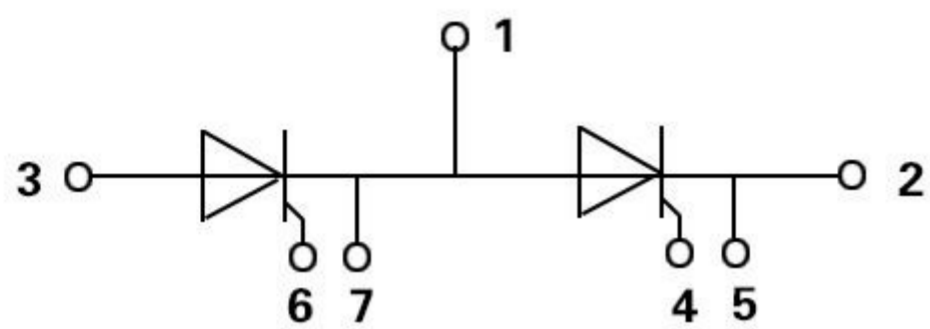
## Summary of Features

- Heat transfer through aluminium oxide ceramic insulated metal baseplate
- Hard soldered joints for high reliability

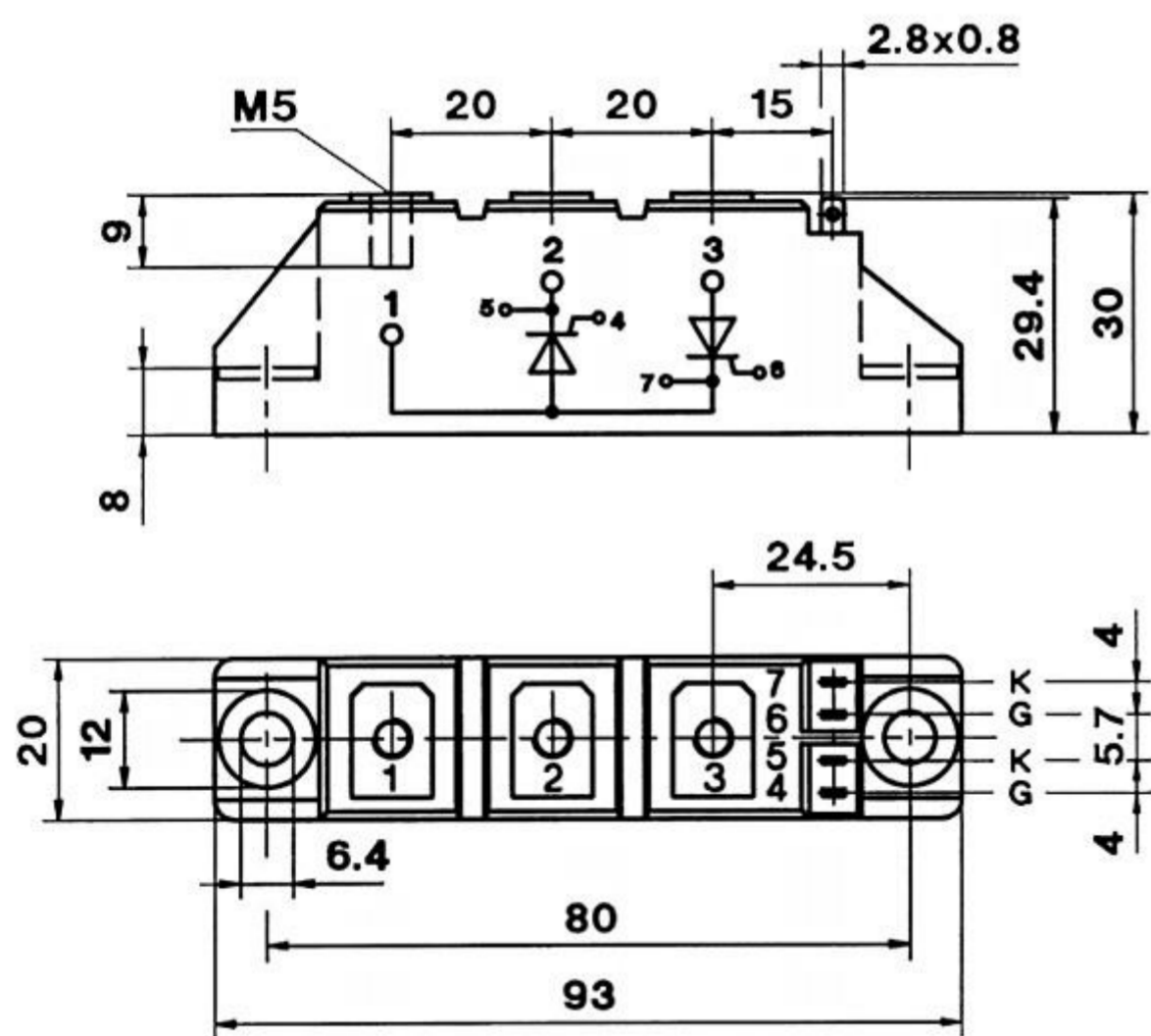
## Typical Applications

- DC motor control (e. g. for machine tools)
- AC motor soft starters
- Temperature control (e. g. for ovens, chemical processes)
- Professional light dimming (studios, theaters)

## Internal Circuit



## Package Dimension Dimensions in Millimeters



## Parameters

Parameters	CTT72GK08~18
$V_{DRM}$ $V_{RRM}$	800~1800V
$I_{TAV}$ $I_{FAV}$ @TC	85A
$T_C$	85°C
$I_{TSM}$ $I_{FSM}$ @10ms, $T_{vj}$ max	1700A
$V_{(T0)}$ @ $T_{vj}$ max	0.85V
Package style Outline drawings	XTA