

Model Comparison

Model	VRRM _{VDRM} (V)	ITAV _{IFAV} (A)
CTT72GK08	800	70
CTT72GK12	1200	70
CTT72GK14	1400	70
CTT72GK16	1600	70
CTT72GK18	1800	70
CTT72GK20	2000	70
CTT72GK22	2200	70

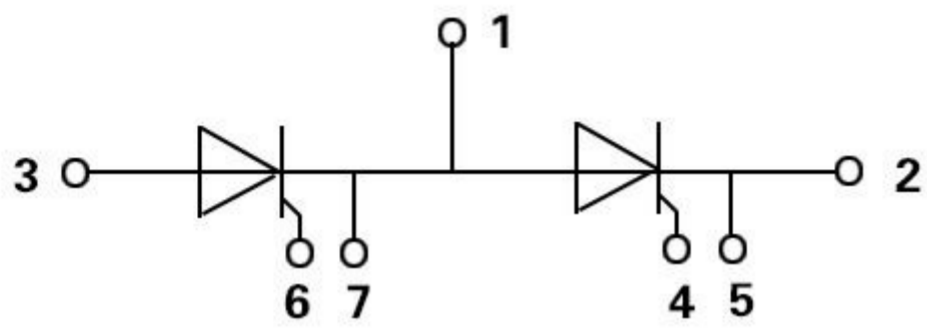
Summary of Features

- Heat transfer through aluminium oxide ceramic insulated metal baseplate
- Hard soldered joints for high reliability

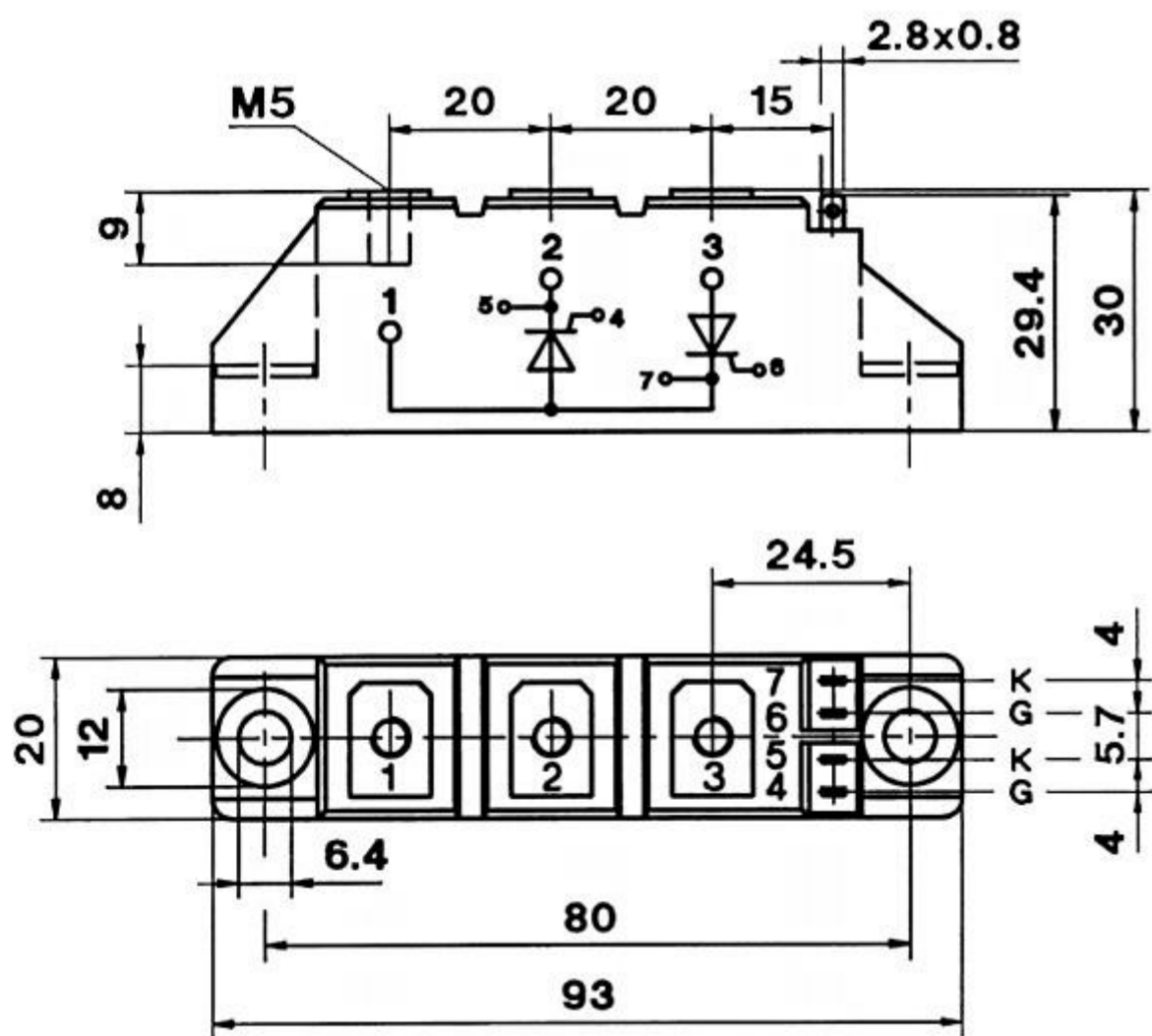
Typical Applications

- DC motor control (e. g. for machine tools)
- AC motor soft starters
- Temperature control (e. g. for ovens, chemical processes)
- Professional light dimming (studios, theaters)

Internal Circuit



Package Dimension Dimensions in Millimeters



Parameters

Parameters	CTT72GK08~18
V_{DRM} V_{RRM}	800~1800V
I_{TAV} I_{FAV} @TC	85A
T_C	85°C
I_{TSM} I_{FSM} @10ms, T_{vj} max	1700A
$V_{(T0)}$ @ T_{vj} max	0.85V
Package style Outline drawings	XTA