

Model Comparison

Model	VRRM _{VDRM} (V)	ITAV _{IFAV} (A)
CTT72GK08	800	70
CTT72GK12	1200	70
CTT72GK14	1400	70
CTT72GK16	1600	70
CTT72GK18	1800	70
CTT72GK20	2000	70
CTT72GK22	2200	70

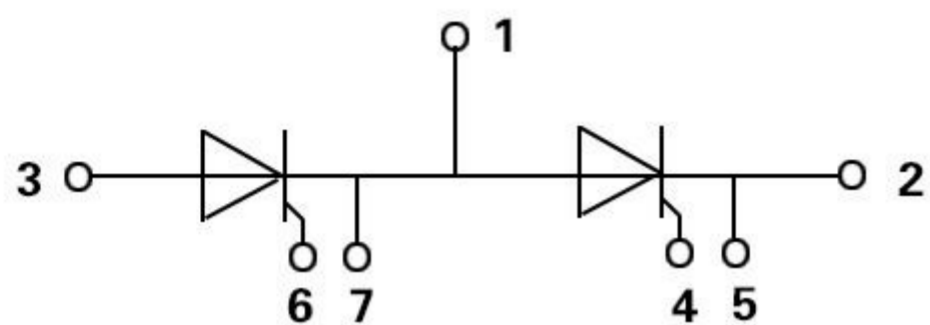
Summary of Features

- Heat transfer through aluminium oxide ceramic insulated metal baseplate
- Hard soldered joints for high reliability

Typical Applications

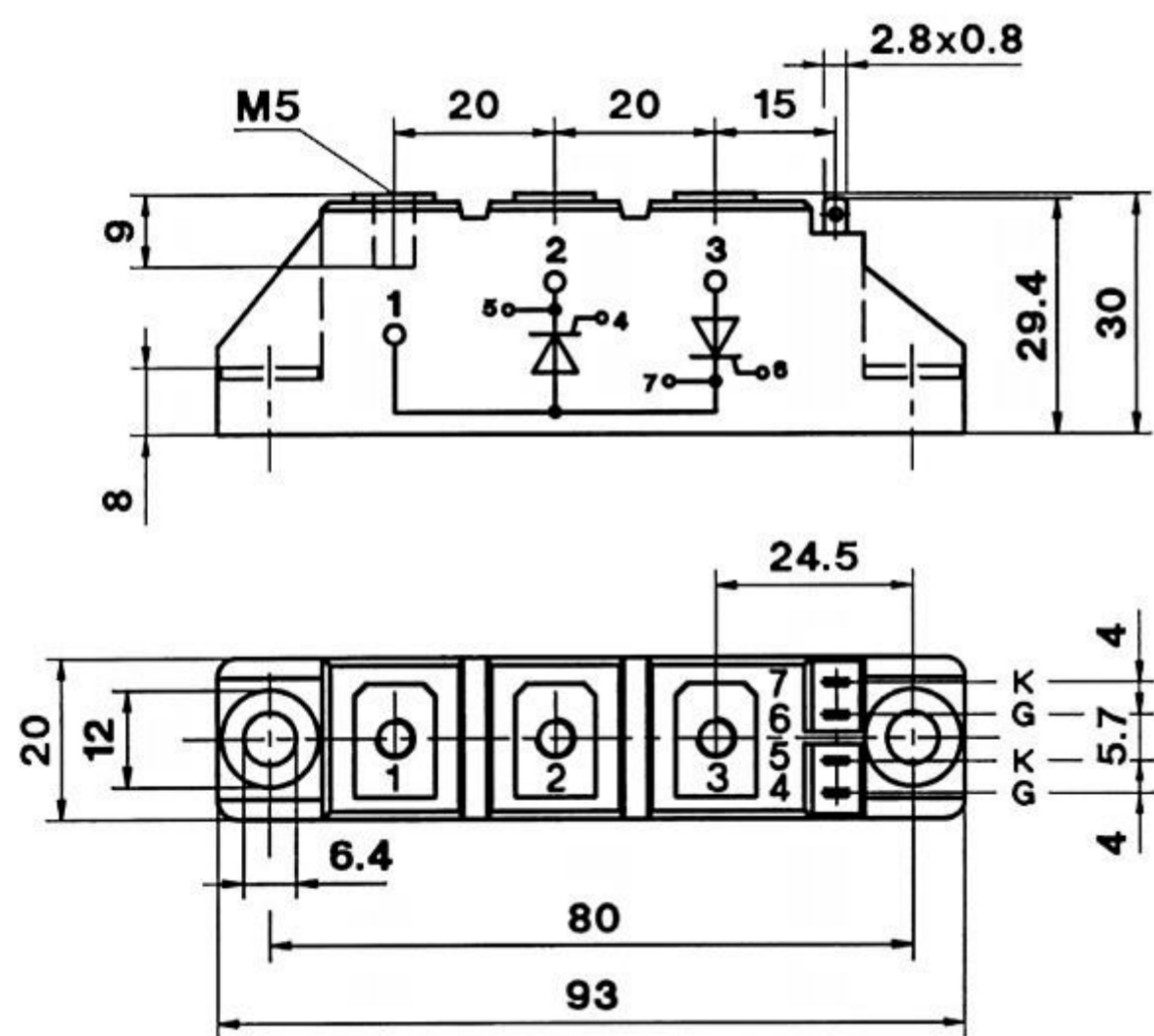
- DC motor control (e. g. for machine tools)
- AC motor soft starters
- Temperature control (e. g. for ovens, chemical processes)
- Professional light dimming (studios, theaters)

Internal Circuit



Package Dimension

Dimensions in Millimeters



Parameters

Parametrics	CTT72GK08~18
$V_{DRM} V_{RRM}$	800~1800V
$I_{TAV} I_{FAV}$ @TC	85A
T_C	85°C
$I_{TSM} I_{FSM}$ @10ms, T_{vj} max	1700A
$V_{(T0)}$ @ T_{vj} max	0.85V
Package style Outline drawings	XTA