

Model Comparison

| Model | VRRM VDRM(V) | ITAV IFAV(A) |
|------------|--------------|--------------|
| CTT165GK08 | 800 | 181 |
| CTT165GK12 | 1200 | 181 |
| CTT165GK14 | 1400 | 181 |
| CTT165GK16 | 1600 | 181 |
| CTT165GK18 | 1800 | 181 |

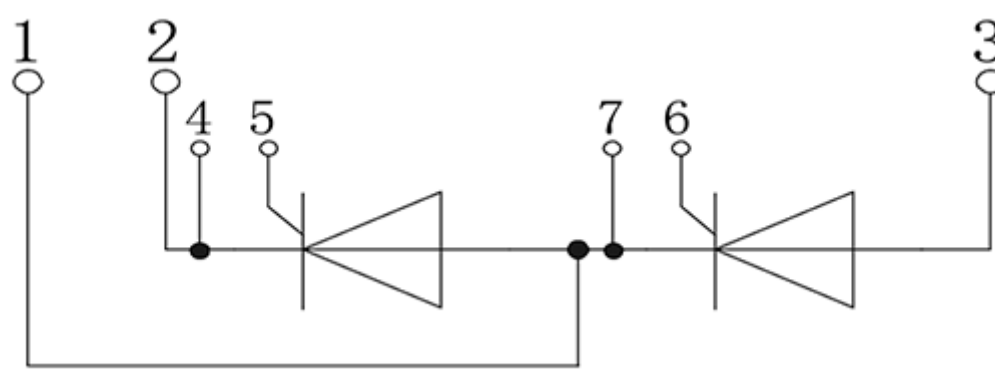
Features / Advantages

- Thyristor for line frequency
- Planar passivated chip
- Long-term stability
- Direct Copper Bonded Al₂O₃-ceramic

Applications

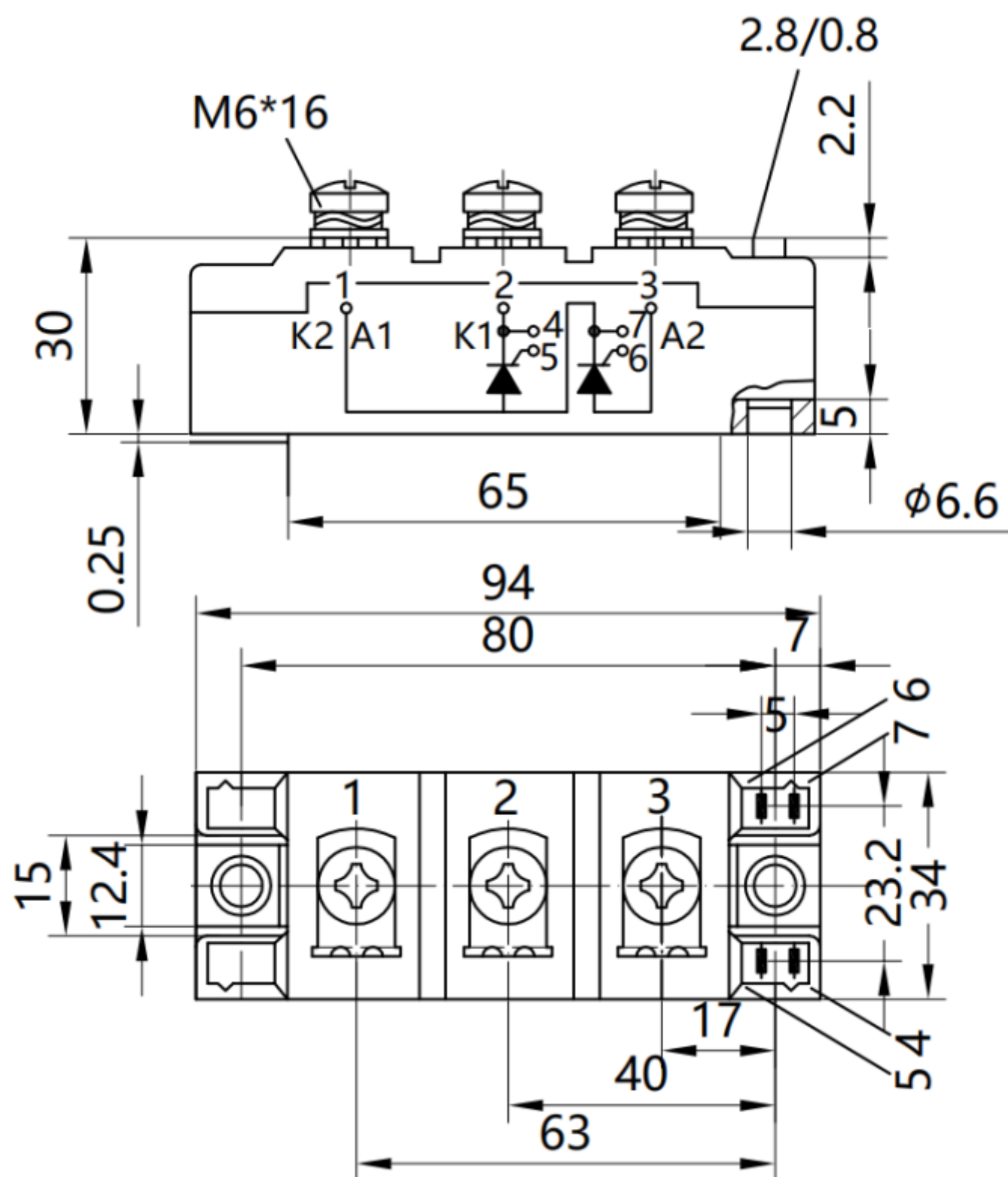
- Line rectifying 50/60 Hz
- Softstart AC motor control
- DC Motor control
- Power converter
- AC power control
- Lighting and temperature control

Internal Circuit



Package Dimension

Dimensions in Millimeters



Parameters

| Parametrics | CTT165GK08~18 |
|--|---------------|
| $V_{DRM} V_{RRM}$ | 800~1800V |
| $I_{TAV} I_{FAV}$ @TC | 181A |
| T_C | 85°C |
| $I_{TSM} I_{FSM}$ @10ms, T_{vj} max | 6000A |
| $V_{(TO)}$ @ T_{vj} max | 0.88V |
| Package style Outline drawings | XTB |