

Model Comparison

Model	VRRM VDRM(V)	ITAVIFAV(A)
CTD500GK12	1200	430
CTD500GK14	1400	430
CTD500GK16	1600	430
CTD500GK18	1800	430
CTD500GK20	2000	430
CTD500GK22	2200	430

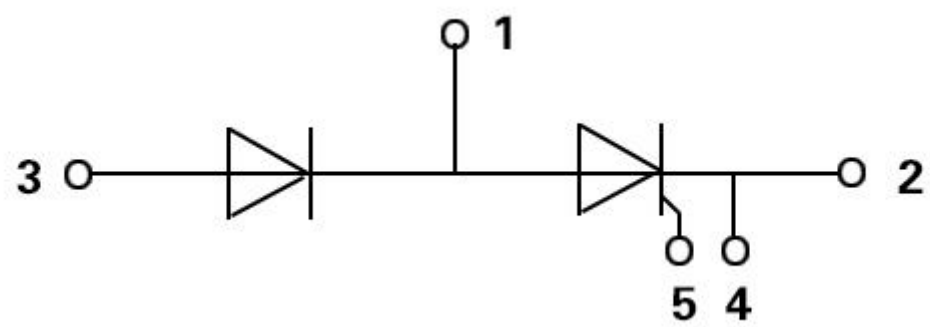
Summary of Features

- Pressure contact technology for high reliability
- Industrial standard package
- Electrically insulated baseplate
- Short on fail
- Highest robustness

Benefits

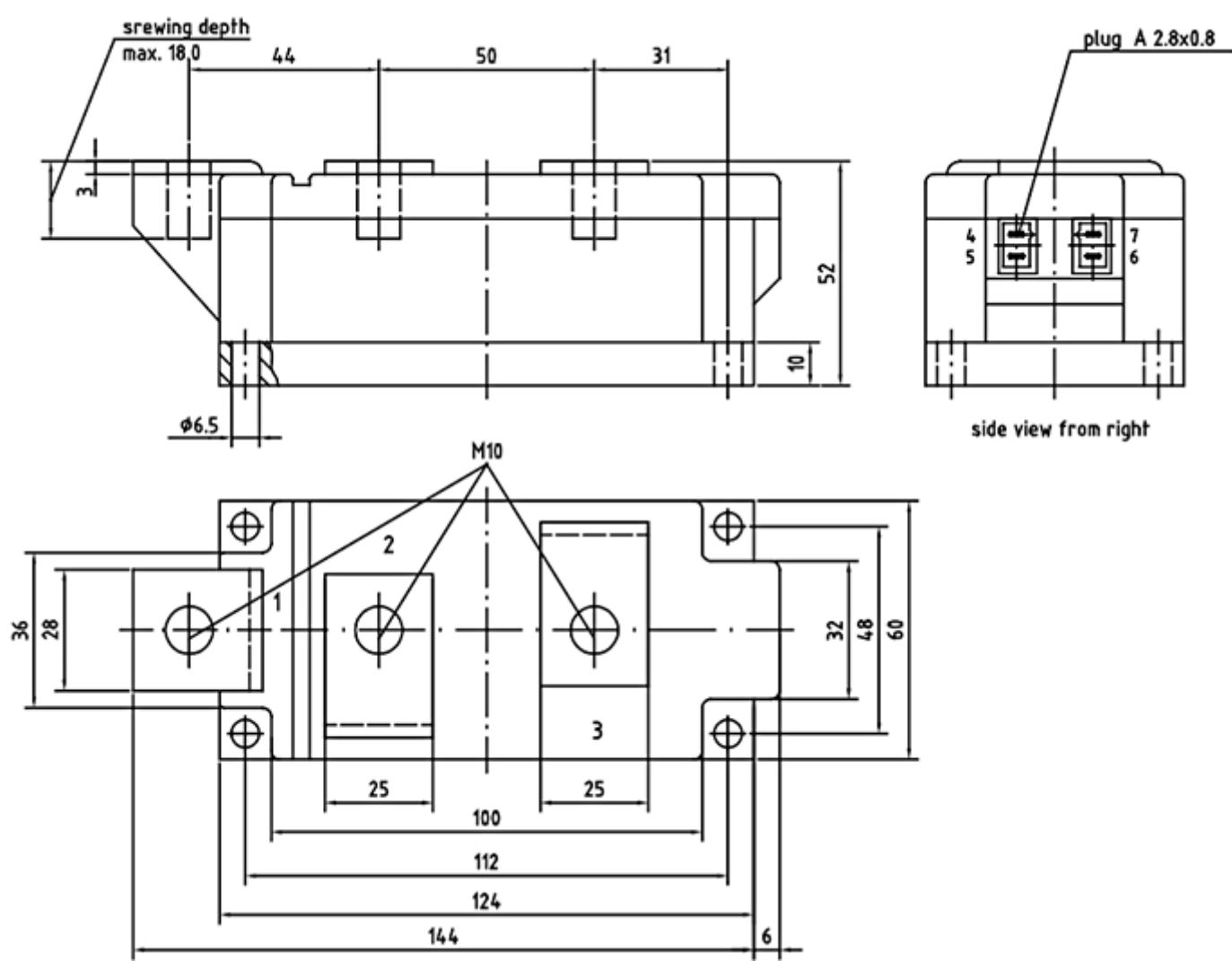
- Designed for high overload and power cycling requirements
- High DC blocking stability over whole lifetime
- High surge current capability especially for short grid spikes
- One supplier for a broad range of Power Block Modules

Internal Circuit



Package Dimension

Dimensions in Millimeters



Parameters

Parametrics	CTD500GK12~22
$V_{DRM} V_{RRM}$	1200~2200V
$I_{TAV} I_{FAV}$ @TC	430A
T_C	85°C
$I_{TSM} I_{FSM}$ @10ms, T_{vj} max	14000A
$V_{(T0)}$ @ T_{vj} max	0.95V
Package style Outline drawings	ITE
Replace	TD430N12~22KOF