

Model Comparison

Model	VRRM _{VDRM} (V)	ITAV _{IFAV} (A)
CTD310GK08	800	320
CTD310GK12	1200	320
CTD310GK14	1400	320
CTD310GK16	1600	320
CTD310GK18	1800	320

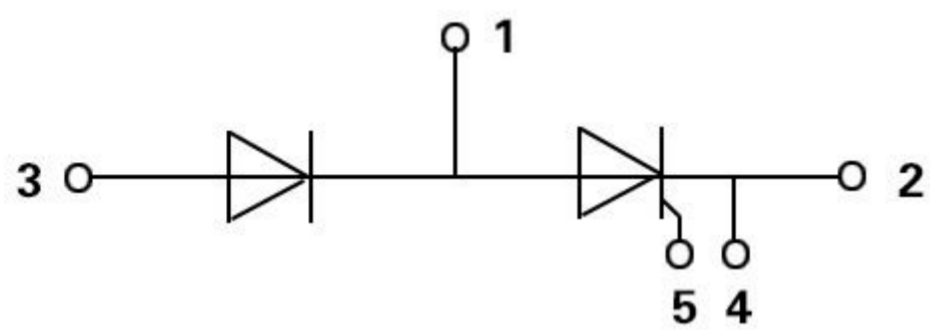
Features / Advantages

- Thyristor for line frequency
- Planar passivated chip
- Long-term stability
- Direct Copper Bonded Al₂O₃-ceramic

Applications

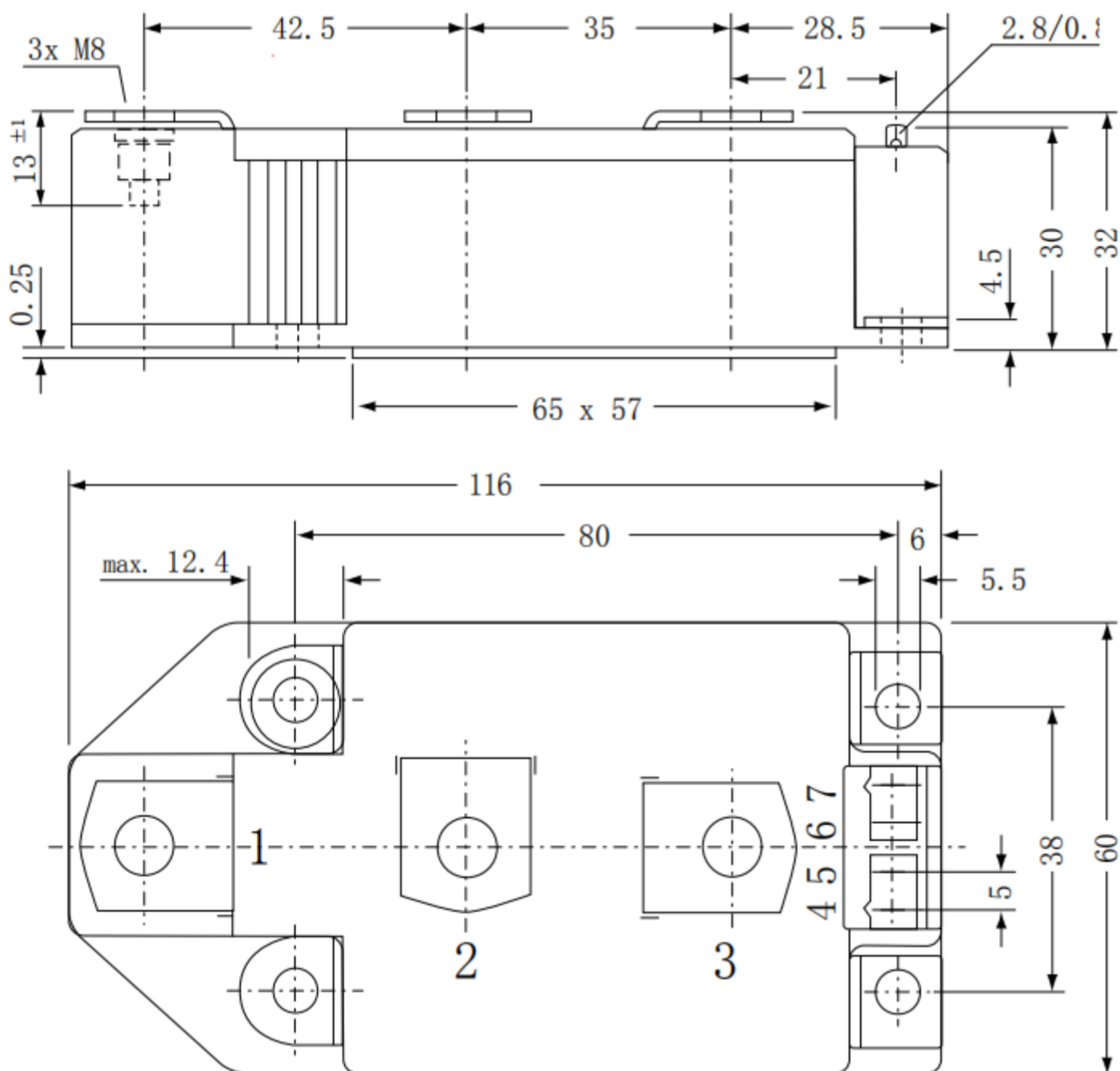
- Line rectifying 50/60 Hz
- Softstart AC motor control
- DC Motor control
- Power converter
- AC power control
- Lighting and temperature control

Internal Circuit



Package Dimension

Dimensions in Millimeters



Parameters

Parameters	CTD310GK08~18
V_{DRM} V_{RRM}	800~1800V
I_{TAV} I_{FAV} @TC	320A
T_C	85°C
I_{TSM} I_{FSM} @10ms, T_{vj} max	9200A
$V_{(TO)}$ @ T_{vj} max	0.8V
Package style Outline drawings	XTC