

Model Comparison

CATELEC model	VRRM _{VDRM} (V)	ITAV _{IFAV} (A)
CTD200GK08	800	200
CTD200GK12	1200	200
CTD200GK14	1400	200
CTD200GK16	1600	200
CTD200GK18	1800	200

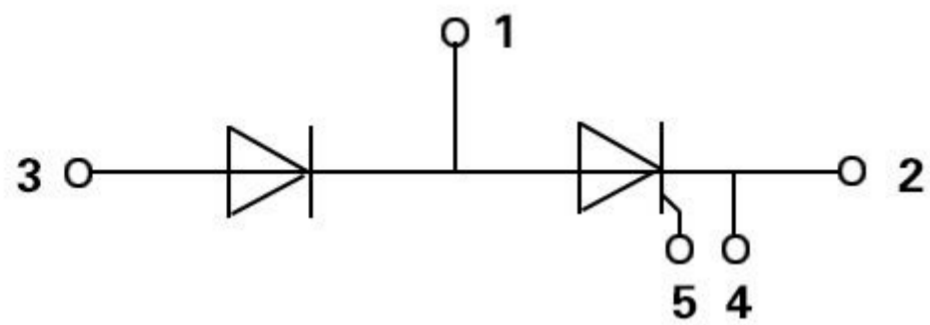
Features / Advantages

- Thyristor for line frequency
- Planar passivated chip
- Long-term stability
- Direct Copper Bonded Al₂O₃-ceramic

Applications

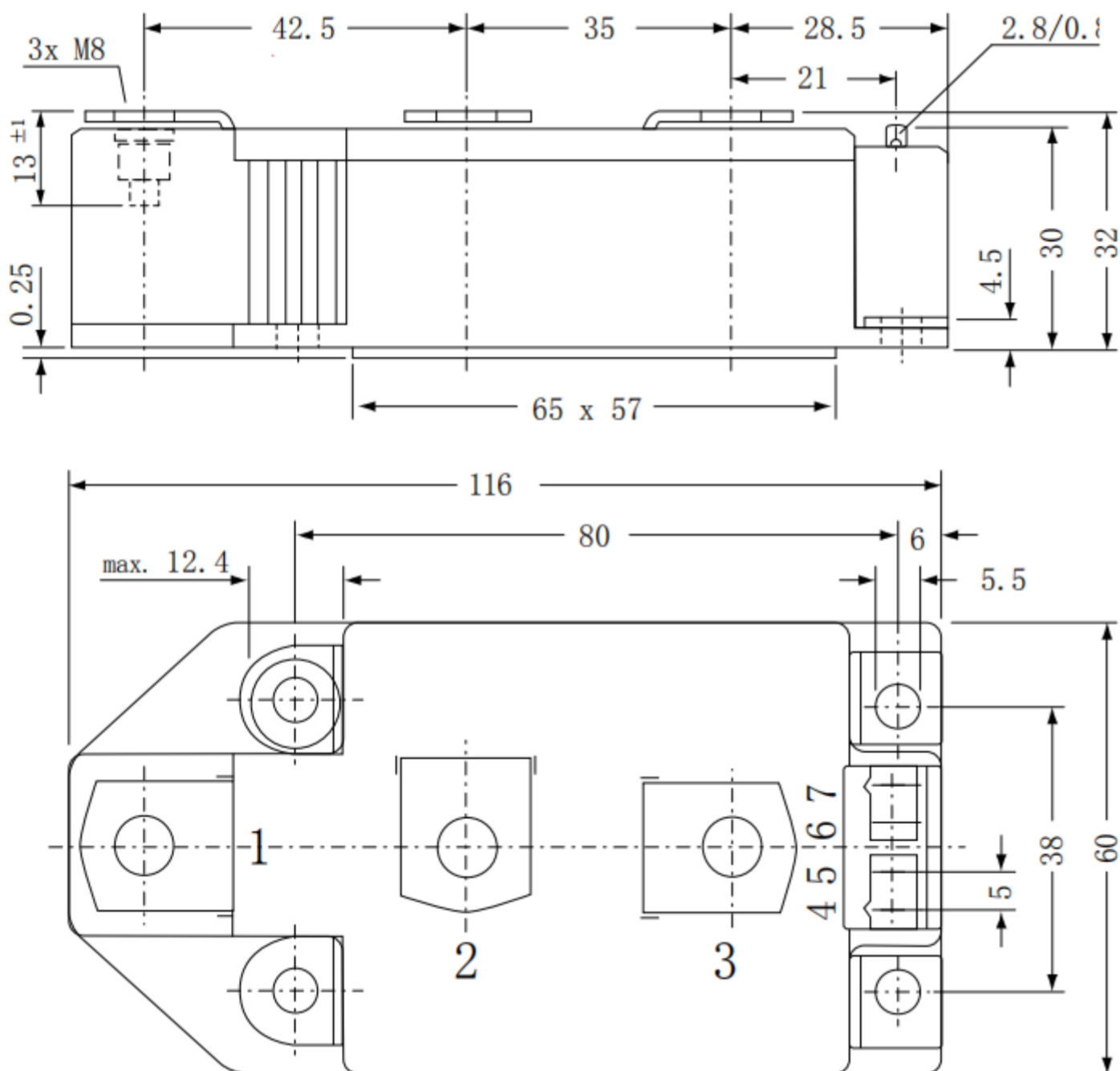
- Line rectifying 50/60 Hz
- Softstart AC motor control
- DC Motor control
- Power converter
- AC power control
- Lighting and temperature control

Internal Circuit



Package Dimension

Dimensions in Millimeters



Parameters

Parameters	CTD200GK08~18
V_{DRM} V_{RRM}	800~1800V
I_{TAV} I_{FAV} @TC	200A
T_C	85°C
I_{TSM} I_{FSM} @10ms, T_{vj} max	9200A
$V_{(TO)}$ @ T_{vj} max	0.80V
Package style Outline drawings	XTC